

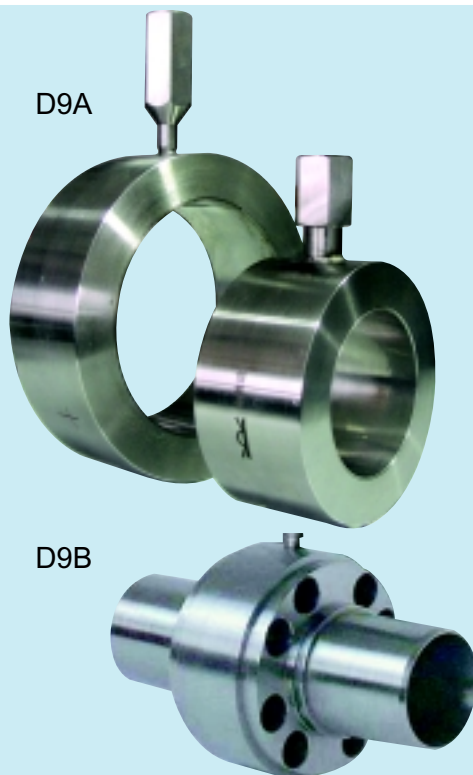
## In-Line-Type Diaphragm Seals To Fit Standard Flanges

### 特殊项

高温选项：最高温度 300  
本体材质：321, 304, 316L  
过程连接：可根据客户要求订制  
工作介质：根据介质不同可选氟油 -60-+220 ,  
食用油 -20-+120  
毛细远传：最大距离 6m, 材质 321,  
外套 321 凯装, 也可根据客户要求订制  
伴热选项：伴热接口为螺纹连接, 螺纹规格可根据  
客户要求定制

### Special items

High temperature: Max 300  
Body material: 321, 304, 316L  
Process connection: other on request  
Filling liquid: As different media, optional fluorocarbon oil,  
-60-+220 , Food oil -20-+120  
Capillary: max length 6m, material 321 covered with 321 armour, other on request  
Hold temperature: Threaded connection, Thread can be made request



### 主要技术指标

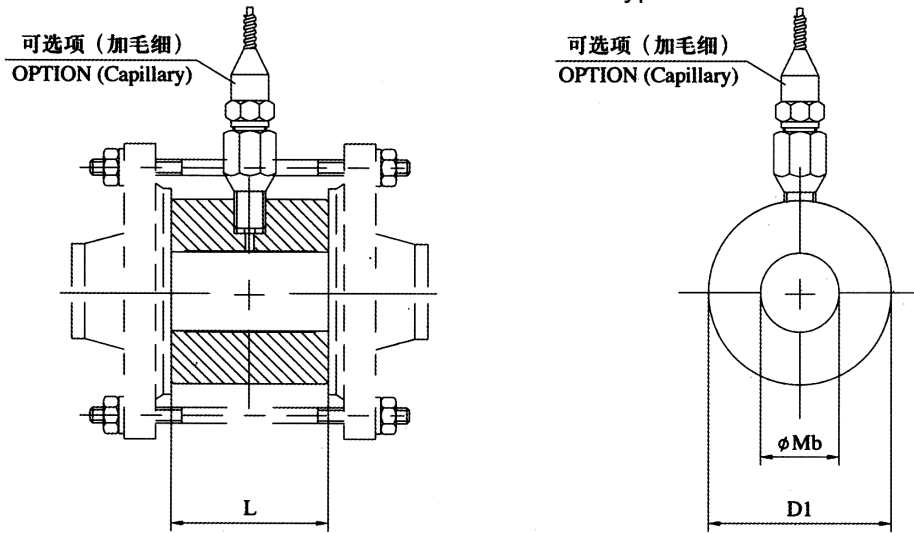
量程：0-0.06/0-40MPa  
精度：(与设备精度相加)  $\pm 0.5\%$  直接安装；  
 $\pm 1\%$  配阻尼器、过压保护器、远传等  
工作温度：-45-+150  
膜片材质：316L  
本体材质：316  
过程接口：螺纹 20\*1.5, 1/2" NPT  
法兰执行标准：GB/T9113.1-9121.3-2000  
JB/T74-85-1994  
HG20592-20621-1997  
ANSI B 16.5  
DIN 2501  
工作介质：硅油

### Specifications

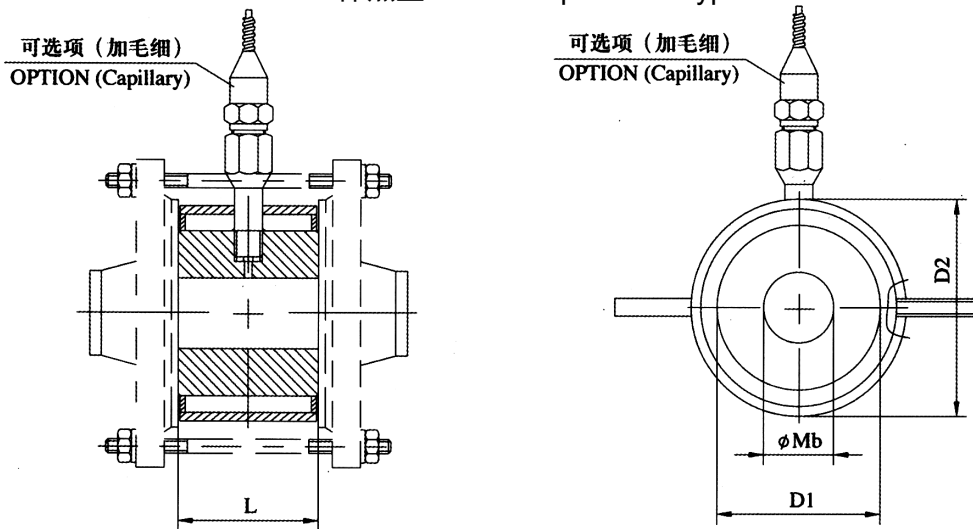
Range: 0-0.06/0-40MPa  
Accuracy: (add to instrument accuracy)  
 $\pm 0.5\%$  for direct mounting;  $\pm 1\%$  for  
dampeners over pressure protector,  
distance transmission and so on.  
Working Temperature: -45-+150  
Diaphragm Material: 316L  
Body material: 316  
Process connection: Thread M20\*1.5, 1/2" NPT  
Flange standard: GB/T9113.1-9121.3-2000  
JB/T74-85-1994  
HG20592-20621-1997  
ANSI B 16.5  
DIN 2501  
Filling liquid: Silicone oil

外形尺寸图 DIMENSIONS (mm)

F9A 标准型 Standard Type



D9B 伴热型 Hold Temperature Type



法兰 Flange  
(GB/T9123.1-2000)

DN [mm]	PN [bar]	尺寸-DIMENSION [mm]			
		D1	D2	Mb	L
20	6...400	54	87	22	60
25	6...400	63	87	28	60
40	6...400	83	112	42	60
50	6...400	95	131	54	60
65	6...400	112	138	68	60
80	6...400	128	157	82	60
100	6...400	150	182	106	60
125	6...400	182	217	131	60
150	6...400	210	242	158	60

法兰 Flange  
(ANSI B 16.5)

DN [in.]	PN [class]	尺寸-DIMENSION [mm]			
		D1	D2	Mb	L
3/4	150...2500	54	87	22	60
1	150...2500	63	87	28	60
1 1/2	150...2500	83	112	42	60
2	150...2500	95	131	54	60
2 1/2	150...2500	112	138	68	60
3	150...2500	128	157	82	60
4	150...2500	150	182	106	60
5	150...2500	182	217	131	60
6	150...2500	210	242	158	60